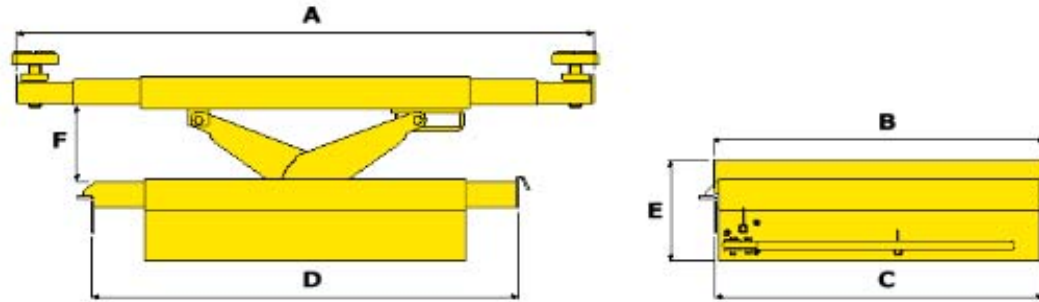


# Majorlift Jacking Beam Technical Specifications



	<b>RATED 2 TONNES</b>	<b>RATED 2.8 TONNES</b>	<b>RATED 4 TONNES</b>	<b>RATED 6 TONNES</b>
Part No. Manual	<b>HPJ2</b>	<b>HPJ2.8</b>	<b>HPJ4</b>	<b>N/A</b>
Part No. Air/Hydraulic	<b>MPJ2</b>	<b>MPJ2.8</b>	<b>MPJ4</b>	<b>MPJ6</b>
A Width when extended	1605mm - 63"	1605mm - 63"	1320mm - 52"	1300mm - 51"
B Width when retracted	800mm - 31.5"	815mm - 32"	850mm - 33.5"	910mm - 35.8"
C Minimum width over support arms	790mm - 31"	790mm - 31"	830mm - 32.5"	920mm - 36.2"
D Maximum width over support arms	1125mm - 44"	1130mm - 44.5"	1300mm - 51"	1290mm - 50.7"
E Closed height	212mm - 8.25"	242mm - 9.5"	253mm - 9.25"	320mm - 12.6"
F Total lift	205mm - 8"	205mm - 8"	205mm - 8"	200mm - 7.8"
Weight - <i>with top beam</i>	87kgs - 192lbs	113kgs - 249lbs	140kgs - 308lbs	224kgs - 494lbs

## **MOT Approval for**

**Class 4**

**Class 7**

***Special narrow version for inspection pit use only (extra P.O.A.)***

C Minimum width over support arms	680mm - 26.75"	680mm - 26.75"	720mm - 28"	N/A
D Maximum width over support arms	1015mm - 40"	1020mm - 40.5"	1190mm - 47"	N/A

## **OPTIONAL EXTRA WIDE TOP BEAM**

A Width when extended	1755mm - 69"	1755mm - 69"	N/A	N/A
B Width when retracted	948mm - 37"	963mm - 38"	N/A	N/A